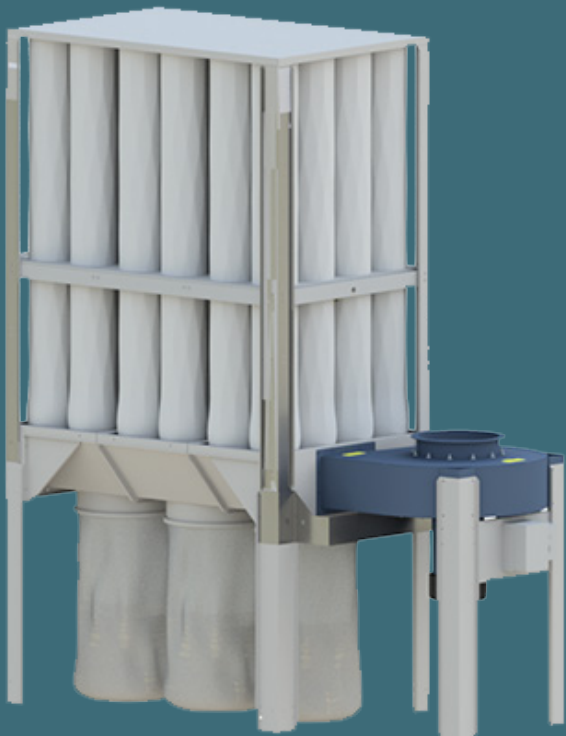




**Nederman**

# S-Series

Spare Parts & Accessories





# S-Series Spare Parts & Accessories



## S-Series Shaker

### Enhanced Cleaning, Safer Maintenance and Lower Costs

A shaker filter cleaning system improves system performance and simplifies maintenance. It provides a more consistent and effective filter bag cleaning than traditional manual techniques resulting in increased machine suction, extended filter life and improved operational safety.

You can retrofit existing equipment with a shaker system that is available in manual, mechanical or automatic actuator models. This is an ideal solution for heavy loading applications including fine wood or sawdust, plastic or paper dust applications.



**Manual** - (2) handle cutouts in the shaker plate are used to manually move the grid back and forth.



**Mechanical** - A push-button switch actuates a pneumatic cylinder attached to the shaker plate.



**Automatic** - Upon fan shut-down, a cleaning sequence is initiated with a pneumatic cylinder attached to the shaker plate.



### Models & Specifications

Model	Part Number	Actuator Style	Pneumatic Cylinder	Voltage (v) @60 Hz	Compressed Air Supply
S-500	89101071	Manual	---	---	---
	89101072	Mechanical	Included	208-230/460 V / 3 Phase	0.5 SCFM @ 90 psi 3/8" NPT (min)
	89101073	Automatic	Included	208-230/460 V / 3 Phase	0.5 SCFM @ 90 psi 3/8" NPT (min)
	89101074	Automatic	Included	575 V/3 Phase	0.5 SCFM @ 90 psi 3/8" NPT (min)
S-750 / S-1000	89101075	Manual	---	---	---
	89101076	Mechanical	Included	208-230/460 V / 3 Phase	0.5 SCFM @ 90 psi 3/8" NPT (min)
	89101077	Automatic	Included	208-230/460 V / 3 Phase	0.5 SCFM @ 90 psi 3/8" NPT (min)
	89101079	Automatic	Included	575 V/3 Phase	0.5 SCFM @ 90 psi 3/8" NPT (min)

Shake Upgrade/Conversion Kits	Part Number
Manual to Mechanical	89101079
Manual to Automatic - 208-230V/ 460V	89101080

Shaker Spare Parts	Part Number
Shut Off Valve (Shaker Kit replacement)	89101082
Regulator & Filter Combo (replacement)	89101083
Automatic Shake Pneumatic Cylinder	89201080
Mechanical Actuator	89201085

## Waste Disposal Options

Replacement plastics bags are available as well as barrels or a dump bin.



#	Description	Volume	Dimensions	Part Number
1	Plastic Bag	42 Gal (159 L)	Ø20" x 51.2" (508 mm x 1.3m)	89201024
2	Barrel	45 Gal (170 L)	Ø20" x 36" (508 mm x 914m)	89201004
3	Dump Bin (S-750 & S-1000)	230 Gal (871 L)	33.4" x 72" x 36.5" (0.85m x 1.83m x 0.93m)	89101011

## Upgrade to a dump bin and save valuable production time!

- Increased capacity by 80% compared to plastic waste disposal bags
- Simple quick clamp for easy an clean maintenance
- Easy forklift removal for worker safety
- Easy "tilt-to-empty" design for simple waste disposal





# S-Series Spare Parts & Accessories

## Bag Filter

Nederman's SUPERBAG - The Heart of the System

Delivers high efficiency, low energy consumption, combustible dust safety and extended life



- Achieve recommended dust emission levels and improved ambient air
- Low pressure drop requires less energy
- Durable construction with seamless, woven construction
- Reduced risk of fire and explosion with anti-static woven carbon fibers

Collector	# of Bags	Bag Dimensions	Part Number	Bag Dimensions	
S-500	16	8.6" x 54.1" (220 mm x 1375 mm)	89251020	89900479 Disc & Hardware	89201002 Disc Only
S-750	24				
S-1000	24	8.6" x 77.2" (220 mm x 1960 mm)	89251021		

## Fan Motor Starters



Part Number	Power (hp)	Phase	Voltage (V) @60 Hz
89115585	5	1	208-240
89115574	7.5	1	208-230
89115583	5-7.5	3	208-230
89115586	10	3	208-240
89115584	5-15	3	460-480
89115587	5-10	3	575

## Replacement Fan Motors

Part Number	Power (hp)	Phase	Voltage (V) @60 Hz
89201017	5	1	208-230
89201018	5	3	208-230/460
89201075	7.5	1	208-230
89201027	7.5	3	208-230/460
89205065	10	3	208-230/460
89201078	10	3	575

## Fan Assembly & Spare Parts

Collector	Complete Fan/Motor Assembly	Fan Impeller	Fan Housing
S-500	89201025 (3 ph, 5 hp)	call	call
S-750	89201023 (3 ph, 7.5 hp)	89201048	89201035
S-1000	89214032 (3 ph, 10 hp)	89205067	89201034

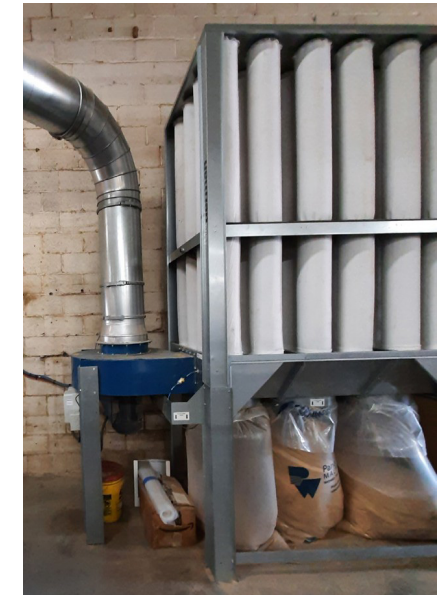
## Inlet Fan Adapters

### Quick-Fit

Quick-Fit ØD (inches)	Part Number
S-500	
9	89101035
10	89101013
11	89101036
12	89101015
S-750	
8	89101044
9	89101045
10	89101014
11	89101046
12	89101016
13	89101047
14	89101017
S-1000	
10	89101054
11	89101053
12	89101052
13	89101051
14	89101050
15	89101049
16	89101048

### Raw End

Raw End ØD (inches)	Part Number
S-500	
8	89101030
9	89101031
10	89101032
11	89101033
12	89101034
S-750	
8	89101037
9	89101038
10	89101039
11	89101040
12	89101041
13	89101042
14	89101043
S-1000	
10	89101054
11	89101053
12	89101052
13	89101051
14	89101050
15	89101049
16	89101048





# S-Series Spare Parts & Accessories



## Additional Spare Parts

Part Number	Description
89203002	S-Filter Collar
89201003	S-Filter Clamp
89201026	Fan Leg Support (all models)
89201022	Hopper Leg Support (all models)
89201020	Collector Roof Panel (S-1000& S-750)
89201046	Collector Roof Panel (S-500)

S-Filter Collar  
(waste outlet/  
bottom of hopper)

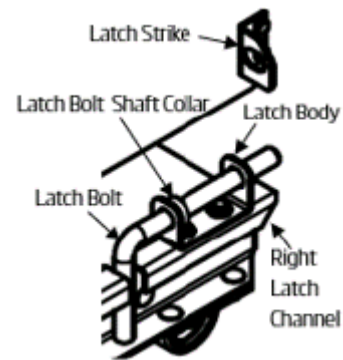
S-Filter (QF) Clamp  
(clamps filter collar to bag,  
barrel or S-Bin collar)

S-Bin Collar (3)  
(top of inlet hole of S-Bin)



## S-Bin/Dump Bin Spare Parts

Part Number	Description
89201044	S-Bin Collar
89201055	3/4" Latch Bolt
89201062	3/4" Latch Bolt Shaft Collar
89201054	Latch Strike
89201056	Latch Body
89201057	Left Latch Channel
89201058	Right Latch Channel
89201005	3" Casters
89201060	Gasket Seal (10 ft Strip)
89201013	Top Assembly w/ Collars
89201076	S-bin fork Channel Right
89201077	S-bin Fork Channel Left



## Experience and Competence You Can Trust

With over 10,000 S-Series installations, Nederman is a global leader in dust collection solutions







**Nederman**



## The Clean Air Company

**Our promise - contributing to a sustainable future**

Clean air is a cornerstone of sustainable production. Our customers want to boost profitability by making their operations as efficient as possible. They want to meet high environmental standards and keep employees safe from fumes and dust. Nederman can help them on all counts. That's how we create value.

**The Clean Air Company - Vision 2025**

Nederman celebrated its 75th anniversary in 2019. From the very beginning, the business idea was clean air. Today, the environment and sustainability are more relevant than ever and the demands are increasing to contribute actively to more efficient production and reduced emissions in industry. The next generation of solutions for clean industrial airflows is under development. Nederman is at the forefront of this development.

Your Nederman Distributor:

**Nederman Corporation · 800 522 5286 · [www.nederman.com](http://www.nederman.com)**